

# EHT 2



Ø 100 mm  
 Ø 125 mm  
 Ø 6 mm  
 Silicon  
 8 round-head screws Ø3.5x35 not included

≥ 350 mm if A or B  
 ≥ 150 mm if C  
 ≥ 150 mm if A  
 ≥ 350 mm if B or C  
 ≥ 2000 mm  
 4A. Ø ≤ 130 mm (recommended)  
 4B. Ø > 130 mm

≤ 15 mm IN OUT ≤ 15 mm

**IN**

**A**

HAUT / OBEN / TOP

Ø ≤ 130 mm

BAS / UNTEN / BOTTOM

**B**

**B** Ø > 130 mm

Maximum torque = 1Nm

**A**

**C**

**OUT**

**A**

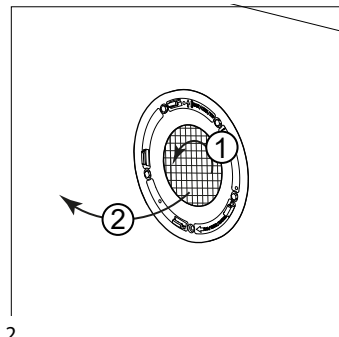
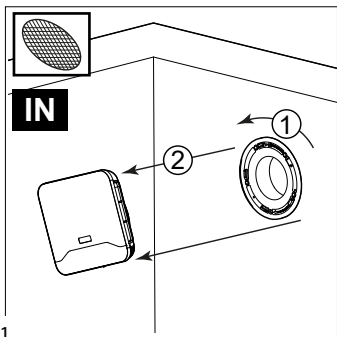
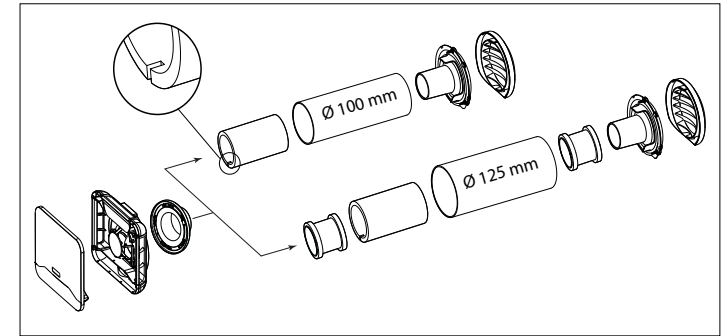
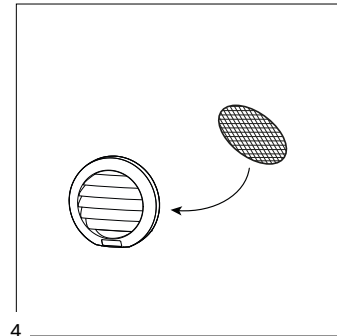
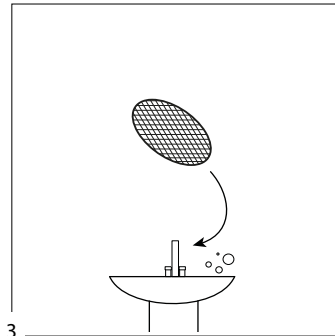
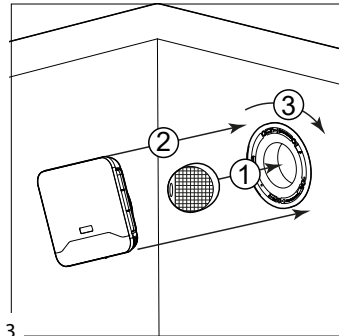
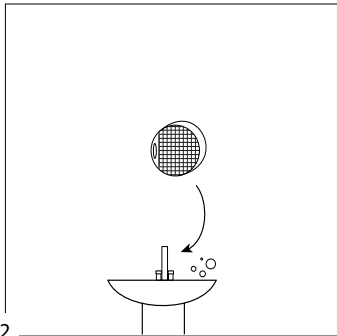
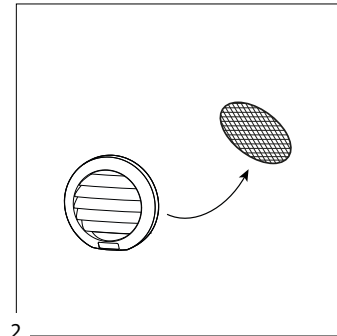
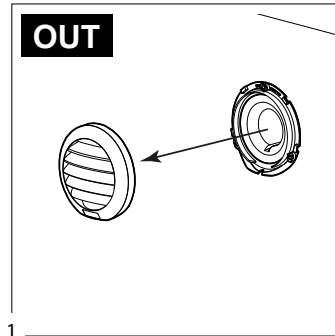
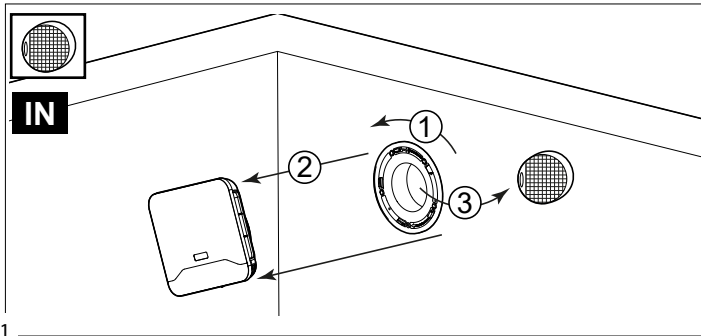
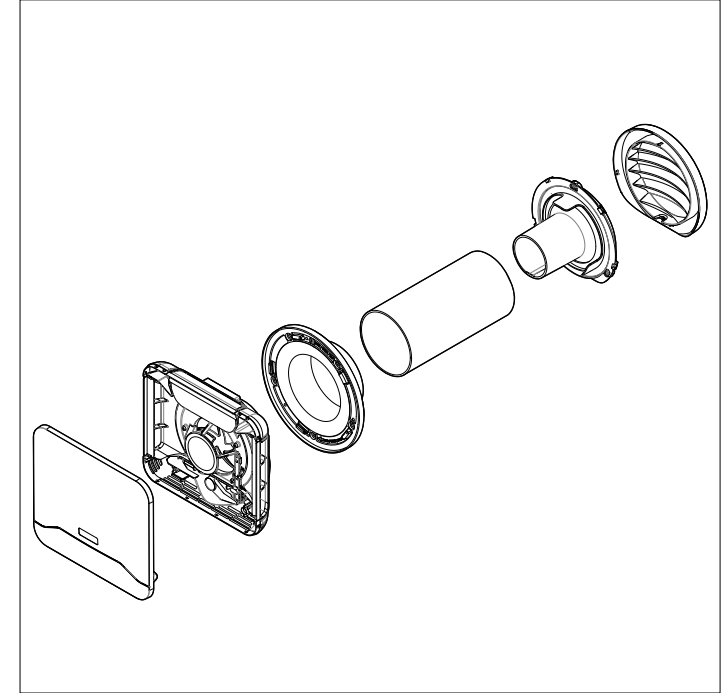
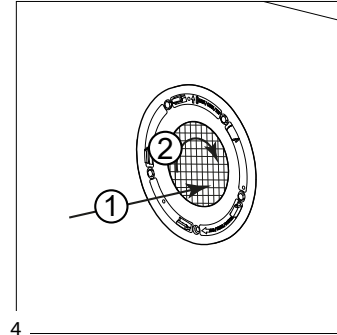
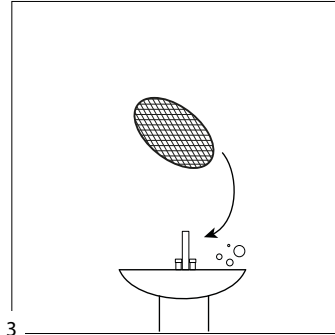
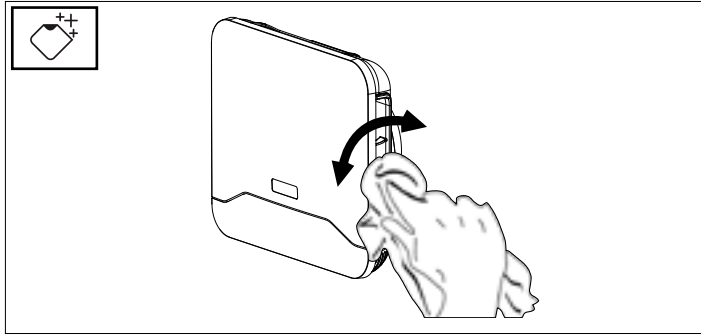
HAUT / OBEN / TOP

Ø ≤ 130 mm

**B** Maximum torque = 1Nm

| : Max  
 ~ : Hygro  
 ○ : Min

**IN** **OUT**



62 rue de Lamirault  
Collégien  
77615 MARNE LA VALLEE  
CEDEX 3  
FRANCE

[www.aereco.com](http://www.aereco.com)

